

UM-5 Crystal

Part Number Guide

T-M-FF.FFFM-LC-FTFS-OT-ESR-B-G-S

T (Type 型号): B=UM-5 Crystal, 2 Leads.

B2=UM-5 Crystal, 3 Leads.

M (Mode of Operation 振荡模式): F=Fundamental T=Third Overtone, etc

F (Frequency 标称频率): Normal - 5 digitals of Frequency, e.g. 12.000M

Special - All digitals of Frequency, e.g. 13.225625M

LC (Load Capacitance 负载电容): 20=20pf 00=series, etc

FT (Frequency Tolerance 调整频差): 30=±30 ppm, etc

FS (Frequency Stability 温度频差): 50=±50 ppm, etc

OT (Operating Temperature 工作温度): 1060=-10°C to +60°C 4085=-40°C to +85°C, etc

ESR (Equivalent Series Resistance 等效阻抗)

B (Bulk Pack 散装) OR TR (Tape and Reel 编带)

G (Gull Wing 夹持器)

S (Special Requirement 特殊要求)



Pb Free

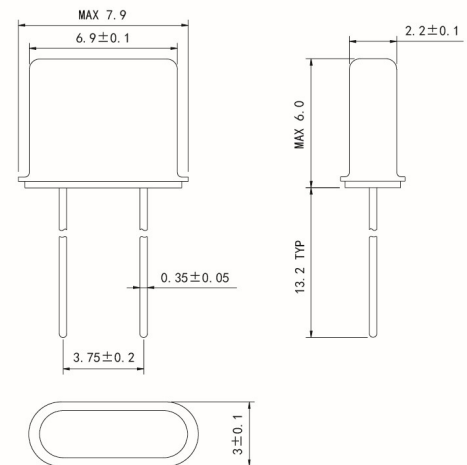
RoHS Compliant
 Directive 2002/95/EC

Electrical Specifications 电气参数

Item 项目	Spec 规格	Condition 条件	
Frequency Range 频率范围	12.8MHz~74.125MHz	For further questions regarding specifications, please feel free to contact us. 对于超出标准的规格, 请联系我们	
Operating Temperature 工作温度	-20~70°C, -40~85°C		
Drive Level 激励功率	100 μw max	It is recommended to use 1 μw~100 μw 推荐 1 μw~100 μw	
Load Capacitance 负载电容	7pF~∞	For further questions regarding specifications, please feel free to contact us. 对于超出标准的规格, 请联系我们	
Frequency Tolerance 调整频差	±30ppm Standard (±10~±50ppm Available)		
Frequency Stability 温度频差	±15ppm@-20~70°C ±30ppm@-40~85°C		
Aging 老化率	±5ppm		
Storage Temperature 储存温度	-55~125°C		
ESR 等效阻抗 (Ω)	12.8MHz ≤ F0 < 20MHz		30 Ω
	20MHz ≤ F0 < 45MHz		25 Ω
	45MHz ≤ F0 < 74.125MHz (Third overtone)		60 Ω

Mechanical Dimensions 外型尺寸

TWO LEADS (两引线) UNIT (单位): mm (毫米)



THREE LEADS (三引线) UNIT (单位): mm (毫米)

